

Universal Transmitter SL340

The SL340 is a field configurable isolating transmitter/converter providing true 3-way galvanic isolation up to 2500Vrms for use with industrial probes and millivolt signals. Input and output are set using the SL300 programmer connected to a PC USB via the SL303 interface. The connection socket is accessed under a door flap on the front of the module. Key features of the SL340 are;

- Wide range AC/DC power supply.
- Input linearisation.
- Differential and single ended input.
- Switch-able input loading
- Reverse and direct acting
- Signal limiting.
- Programmable sensor supply.
- Input filter for fast/slow response.



Ordering Detail

Order Code	Supply Voltage	Conformal Coating
SL340-10	80-300Vdc / 80-280Vac	50/60Hz N
SL340-20	10V-60Vdc / 16-42Vac	50/60Hz N
*) SL340-11	80-300Vdc / 80-280Vac	50/60Hz Y
*) SL340-21	10V-60Vdc / 16-42Vac	50/60Hz Y

*) = Price Extra.

General Specifications

Size:	12.4W x 113H x 108D (mm).
Mounting:	Clip for 35mm DIN-Rail.
Housing material:	ABS / Polycarbonate blend
Connection:	Pluggable screw terminals.
Weight:	85g (including packaging).
Protection class:	IP40.
Input accuracy:	< 0.1%.
Output accuracy:	< 0.1%.
Linearity:	< 0.1%.
Operating temperature:	-5...+65°C. For >50mA AUX de-rate by 5°C.
Temperature drift:	0.01% per °C.
Auto input ranges:	Up to ±250mV or 500mV
Overload continuous:	20 x times input range MAX.
Noise immunity:	130dB CMRR.
Input/output isolation:	>2.5kVrms.
EMC:	AS/NZS 4251.1 (EN 50081.1)

Process Output

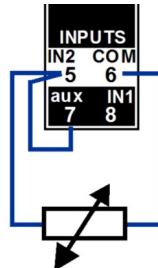
Output calibration is entered as minimum and maximum of input engineering range.

Output can be set as direct or reverse acting. Signal limits can be entered and enabled or disables as required.

Ranges:	1mA, 10mA, 20mA, 1V, 2V, 5V, 10V, 20V
Output drive:	10mA into 0 - 1.8kΩ 20mA into 0 - 800Ω.
Load change effect:	< 0.05% (current limited to 22mA)

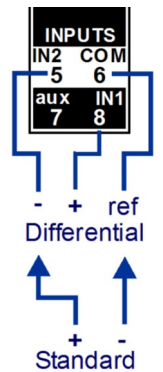
Resistance Transmitter

Minimum span:	1Ω
Maximum span:	50kΩ
Measurement unit:	Ω, kΩ
Measurement type:	2 wire connection.
Engineering Scale:	minimum, maximum and unit
Shape:	Linear or 101 user points
Response time:	50mS fast 500mS slow



Millivolt Input

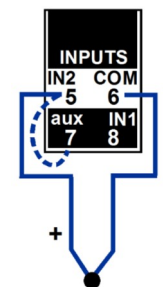
Minimum input:	-250mV
Maximum input:	624mV
Maximum input range:	500mV
Maximum input offset:	50% of range
Measurement unit:	mV
Measurement ranges:	2, 5, 10, 20, 50, 100, 200, 500
Measurement type:	Standard or differential.
Common mode range:	-3V to +6V
Engineering Scale:	minimum, maximum and unit.
Shape:	Linear or 101 user points.
Input impedance:	> 1MΩ. switch-able 30kΩ shunt.
Response time:	50mS fast 500mS slow.
AUX supply output:	0.01mA to 10.8mA (3.5V@10mA) 0.1V to 16V 110mA@10V).



Thermocouple Input

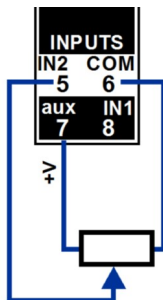
Enter required maximum and minimum in measurement unit, 101 point linearisation is automatically calculated loaded for required range.

Types:	B, E, J, K, N, R, S
Measurement unit:	°C, °F, °K
Input impedance:	switch-able 30k shunt.
Burn out:	Upscale, Downscale, None.
Response time:	Link 5 and 7 for burnout options. 50mS fast / 500mS slow



Potentiometer Transmitter

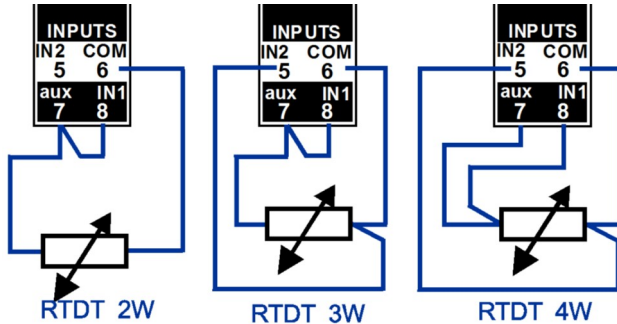
Minimum input:	0%
Maximum input:	100%
Measurement unit:	%Pot
Measurement type:	3 wire connection.
Engineering Scale:	minimum, maximum and unit
Shape:	Linear or 101 user points
Input impedance:	> 1MΩ
Response time:	50mS fast 500mS slow
AUX supply output:	0.5V



RTD Input

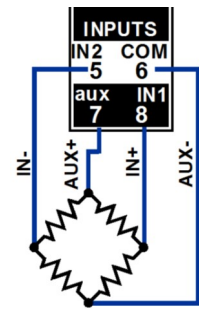
Enter required maximum and minimum in measurement unit, 101 point linearisation is calculated and loaded for required range.

Types: pt100, pt1000
 Measurement unit: °C, °F, °K
 Response time 2W: 50mS fast / 500mS slow
 3W and 4W: 800mS



Strain Gauge Transmitter

Measurement unit: mV
 Measurement type: Differential.
 Common mode range: -3V to +6V
 Tare Function: Button under lid.
 Engineering Scale: minimum, maximum and unit.
 Shape: Linear or 101 user points
 Input impedance: > 1MΩ switchable 30k shunt.
 Response time: 50mS fast / 500mS slow
 AUX supply output: 0.01mA to 10.8mA (3.5V@10mA) / 0.1V to 16V (110mA@10V)

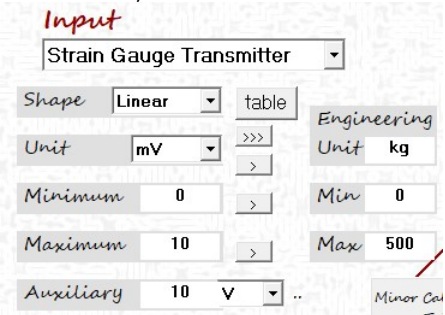


$$Range = \frac{Actual\ Load}{Capacity} \times Sensitivity \times Excitation$$

A load cell of 1000 kg capacity, with 2mV/V sensitivity and 10Vdc excitation has an "actual load" is 500 kg

$$max., then \quad Range = \frac{500\ kg}{1000\ kg} \times 2\ mV/V \times 10\ V = 10\ mV$$

Program the SL340 as shown; After programming the SL340 the top mounted tare button MUST be pressed and released while measurement system is unloaded.



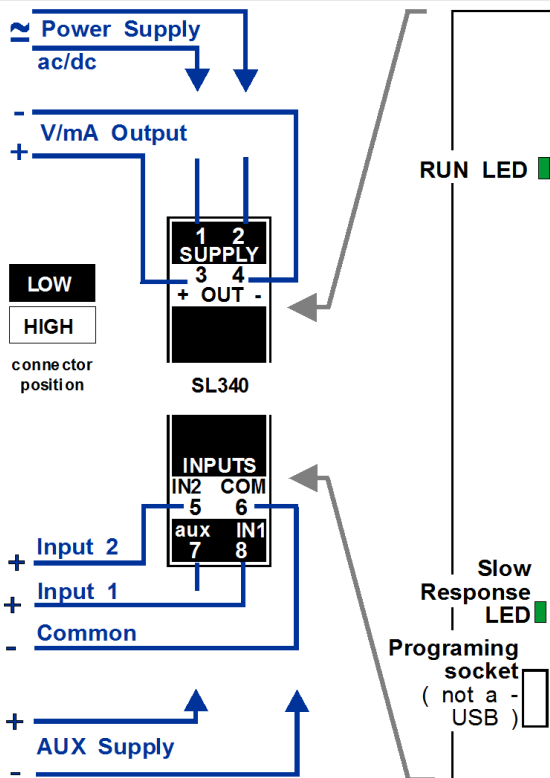
After 1 to 2 seconds the tare will calculate and the LED will flash to indicate that settings are updated.

For strain gauge function without using the top mounted tare button use mV Transmitter in differential mode.

Universal Input

The mV input range can solve measurement problems such as the following 4 wire resistance example below.

Common Connection and Controls



Four Wire Resistance example

I wish to measure 0 to 10Ω but the resistance input is only a 2 wire connection. This means the measurement is affected by the lead resistance.

If I connect the input using the RTDT 4W connection, set the auxiliary output to 10mA and measurement to 100mV differential the output will be directly proportional to the resistance measured.

In the interest of development and improvement, APCS reserve the right to amend, without notice, details contained in this publication. APCS will accept no legal liability for any errors, omissions or amendments

