

Special Note

This connection is for a special modification preformed on a DI739. This special has been engineered into a standard product

Please refer to TCS726 for new orders.

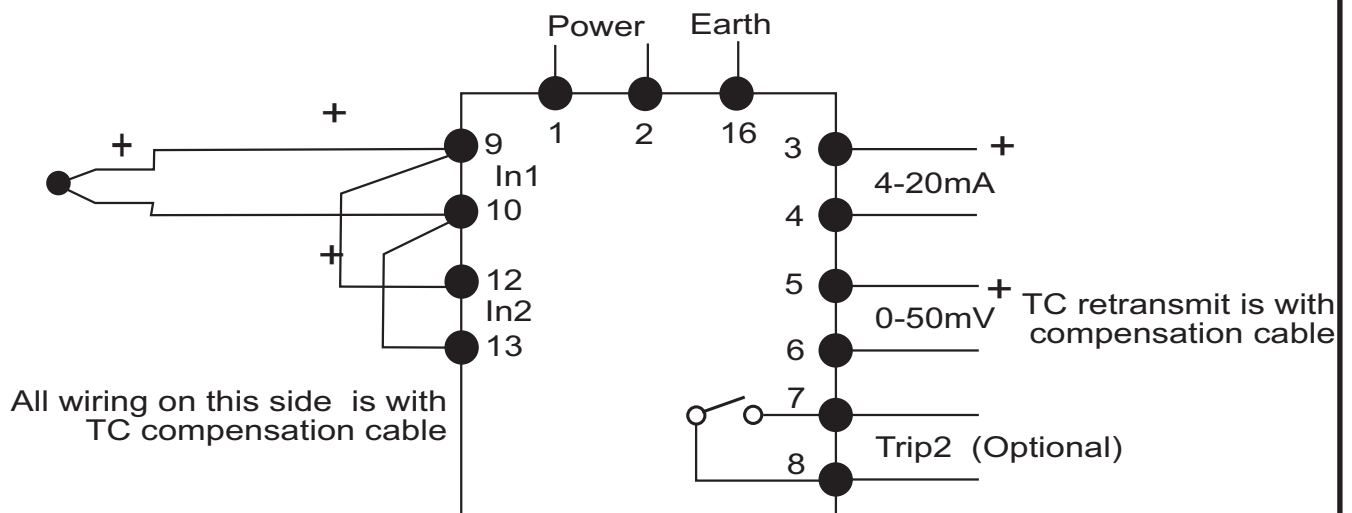
Description

The DUAL ISOLATOR DI739 combines two fully independent isolator channels in one housing. Optional 10A rated trip-point for monitoring and alarming is available on channel 2.

In the following connection example CH1 is fitted with a Thermocouple input card (option 33) and CH2 is fitted with a DC millivolt (option 22) card.

Ch1 output is fitted with a standard 4-20mA output while CH2 is fitted with a low source impedance mV output to retransmit the thermocouple voltage.

Connection



This document must not be copied without our written permission, and the contents thereof must not be imparted to a third party nor be used for any unauthorized purpose. Contravention will be prosecuted.