

External Ratio Adjustment SI139

OPTION 06

NOTE

The range of the ratio adjustment is manufactured to the customer requirement.
A typical ratio adjustment range is 0.5 to 1.5.

$$OUTPUT = INPUT \times RATIO$$

EXAMPLE 1

Ratio adjustment range: 0.5 to 1.5

Input: 4-20mA.

Output: 4-20mA.

- When the ratio adjustment is set to the minimum (0%, RATIO = 0.5)
4-20mA IN results in 4-12mA OUT.
- When the ratio adjustment is set half way (50%, RATIO = 1.0)
4-20mA IN results in 4-20mA OUT.
- When the ratio adjustment is set to the maximum (100%, RATIO = 1.5)
4-14.7mA IN results in 4-20mA OUT.
Inputs above 14.7mA will not increase in a linear fashion above 20mA out.

EXAMPLE 2

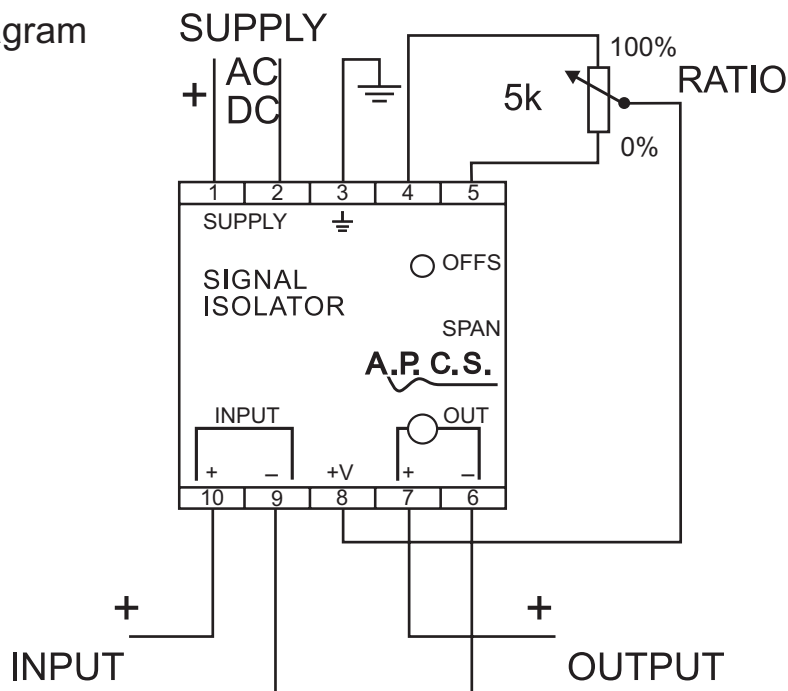
Ratio adjustment range: 1.0 to 2.0

Input: 4-20mA.

Output: 4-20mA.

- When the ratio adjustment is set to the minimum (0%, RATIO = 1.0)
4-20mA IN results in 4-20mA OUT.
- When the ratio adjustment is set half way (50%, RATIO = 1.5)
4-14.7mA IN results in 4-20mA OUT.
- When the ratio adjustment is set to the maximum (100%, RATIO = 2.0)
4-12.0mA IN results in 4-20mA OUT.

Connection Diagram



This document must not be copied without our written permission, and the contents thereof must not be used for any unauthorized purpose. Contravention will be prosecuted.