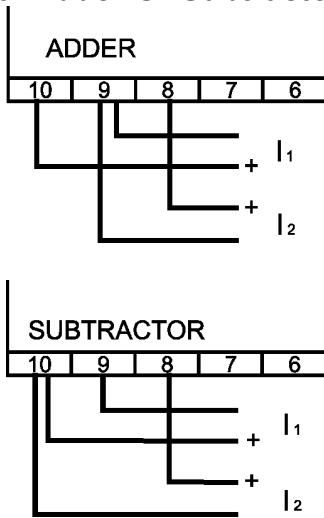


Input options that use terminal 8 prevent terminal 8 from being used as a contact connection.

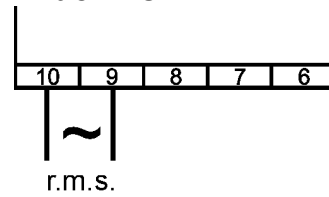
**OPTION 10: Adder Or Subtractor**



For applications with two DC current signals are required to be added or subtracted. The two signals must be identical (i.e. 2 x 4 – 20mA) and have no common ground.

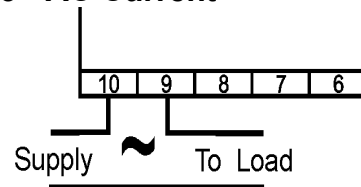
ADDER: Output =  $(I_1 + I_2) / 2$   
 SUBTRACTOR: Output =  $I_1 - I_2$   
 Input loads:  $I_1 = 50 \Omega$   
 $I_2 = 50 \Omega + 0.7V$

**Option 12: True rms.**



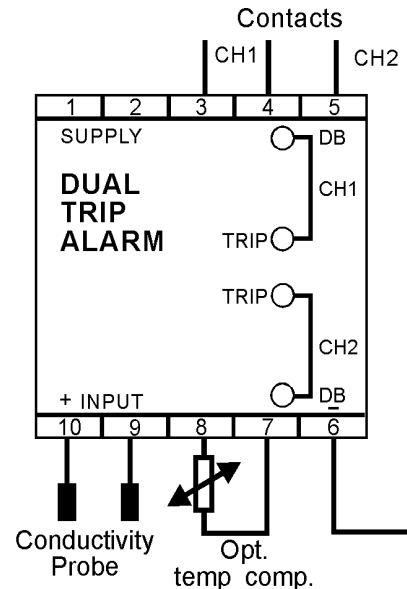
Input range: 10mV up to 500Vac  
 10mA up to 250mAac via shunt  
 Input impedance: 12kΩ for 10mV input  
 > 1MΩ for 500V input  
 Offset: up to 200% of range  
 Linearity and drift error: < 0.5% of range

**Option 13 - AC Current**



Input range: 0.5 up to 10A  
 Input impedance: 0.008Ω at 5A.  
 Input output isolation: 2kV rms by internal CT.  
 Linearity and drift error: < 0.5% of range.

**Option 14: Conductivity**



Input range: 50μS/cm to 100mS/cm (k=1).  
 Temperature compensation: 10k NTC, (Other Specify.)

In the interest of development and improvement, A.P.C.S. Pty. Ltd. reserve the right to amend, without notice, details contained in this publication. A.P.C.S. PTY. LTD. will accept no legal liability for any errors, omissions or amendments.