

Connection; High Output Drive. >20-500mA, >500mA. BSI134

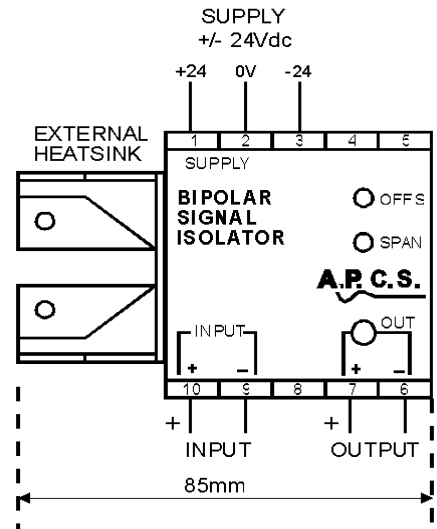
An external $\pm 24V$ power supply is required to directly power the output stage of the amplifier.

Additional Specifications

Minimum power supply requirement: $\pm 24Vdc \pm 10\%$
 Minimum supply current: required output +100mA

Output Option 02: 50 - 500mA With Side Mounted Heatsink

All models of the BSI134 with an output drive between 50 and 500mA use a side mounted heatsink. The module must be mounted in an area with adequate ventilation. The pass transistor mounted on the heatsink is at an elevated voltage, and its case must not be allowed to contact any objects. The transistor is insulated from the heatsink, the heatsink may be grounded.

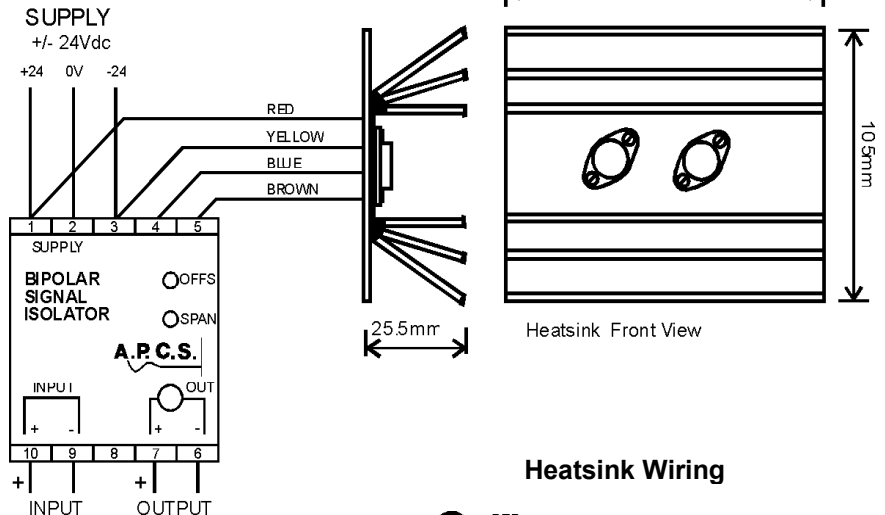


Output Options 03 or 09 With External Heatsink

All models of the BSI134 with an output above 500mA use a separate heatsink.

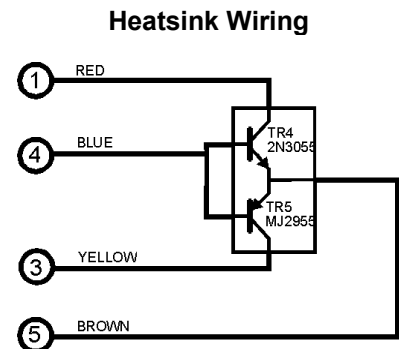
This heatsink must be mounted in an area with adequate ventilation. The pass transistor mounted on the external heatsink is at an elevated voltage, and its case must not be allowed to contact any objects.

The transistor is insulated from the heatsink, the heatsink may be grounded.



For output option :-

- * Option 03 500mA - 2A a 135mm length heatsink is used.
- * Option 09 2A - 5A a 225mm length heatsink is used.



In the interest of development and improvement, A.P.C.S. Pty. Ltd. reserve the right to amend, without notice, details contained in this publication. A.P.C.S. PTY. LTD. will accept no legal liability for any errors, omissions or amendments.