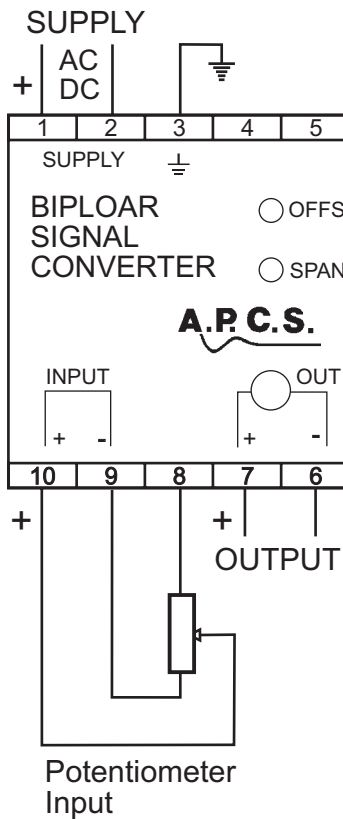


Connection; 3-Wire Potentiometer Input (v3, v4) BSC133

Additional Specifications

Output reference voltage: 2.5V, 2.5mA

Minimum potentiometer resistance: 1k



This document must not be copied without our written permission, and the contents thereof must not be imparted to a third party nor be used for any unauthorized purpose. Contravention will be prosecuted.