

Liquid Level Triple Probe 1M

PR105-3

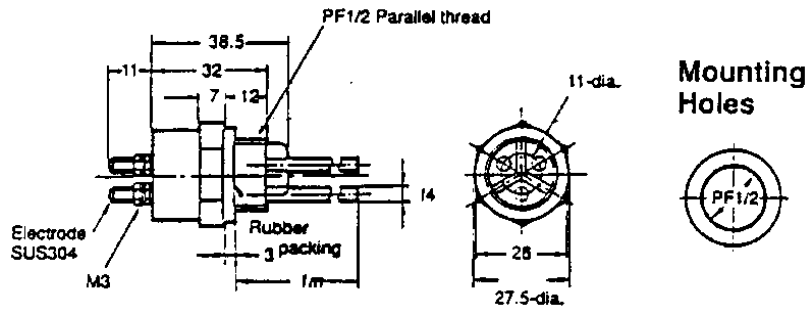
General Specifications

Body Material:	Phenol resin.
Probe material	Equivalent to SUS304
Fixing	0.5" BSP
Max Temperature:	70°C.
Probes:	3 x 1 metre x 4mmØ. Cut to required length.
Relays to suit:	240Vac power RA106. 24Vdc power LLD206.



Ordering details

PR105-3	Triple probe 3 x 1m (may be cut to required length)
PR105-3A	Triple probe 3 x 300mm probes.



In the interest of development and improvement, A.P.C.S. Pty. Ltd. reserve the right to amend, without notice, details contained in this publication. A.P.C.S. PTY. LTD. will accept no legal liability for any errors, omissions or amendments.