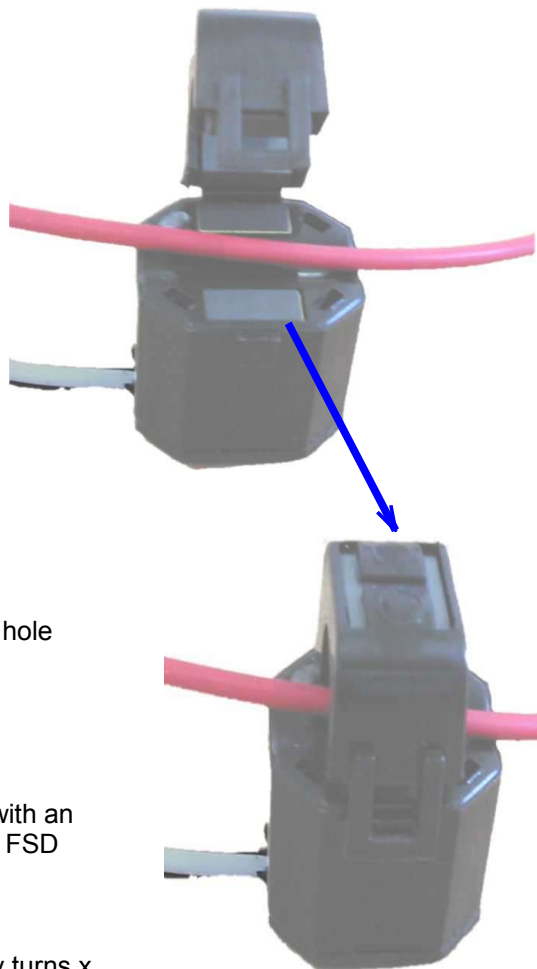


40A Split Core Current Transformer SCT007

DESCRIPTION

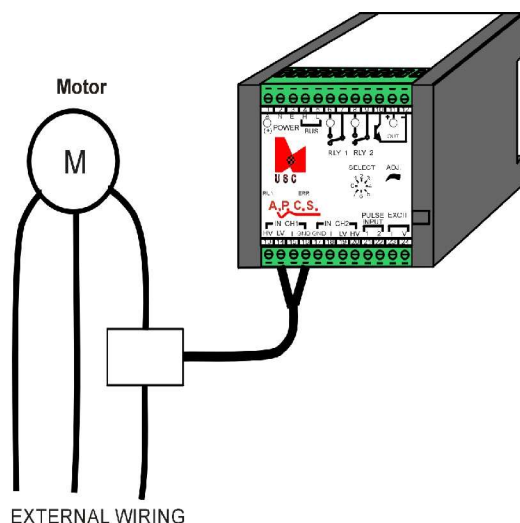
The split core current transformer SCT007 allows module removal and refitting without open circuiting the primary current on any module with AC current input and reduces wiring costs. The split core concept allows fitting and removal without interfering with the load wiring. The option of using an external step-down CT will extend the range of any APCS module up to 40A. The SCT007 is itself a current transformer with a tail lead. Primary termination is achieved by means of one or more turns passed through the hole in the SCT007. Very high isolation levels are achieved as the primary conductors insulation level is added to the already high isolation level of the SCT007 (5kVrms). The SCT007 develops 0.325mA per Amp-turn in the secondary. The secondary can be safely left short circuit or open circuit. A combined linearity of 0.5% is available when the SCT007 is used with an APCS module.



SPECIFICATION

Size:	25 W x 38 H x 25 D mm
Input termination:	Feed primary wire through 9 mm hole
Output termination:	1.5m cable
Protection class:	IP65
Weight:	0.1 kg
Housing material:	Duroplastic (type 31)
Input range:	1 to 40 A.
Accuracy:	Combined accuracy when used with an A.P.C.S. module generally 0.5 % FSD
Temperature range:	-10 °C to +60 °C
Input/Output Isolation:	5kV rms
Maximum input drive:	40 amp-turns
Output Current:	Input current x number of primary turns x 0.325mA
Recommended Load Resistor:	100 Ω / 0.5W
Frequency range:	25 Hz to 400 Hz
Open circuit output:	40V
Use with:	ACT141, ACT241, DI739 (2 channels), USC701

Typical Application



*) Price Extra..

In the interest of development and improvement, A.P.C.S. Pty. Ltd. reserve the right to amend, without notice, details contained in this publication. A.P.C.S. PTY. LTD. will accept no legal liability for any errors, omissions or amendments.